

German Automotive Tool Innovator

## SUSPENSION WEAR INDICATOR



Suspension strut support

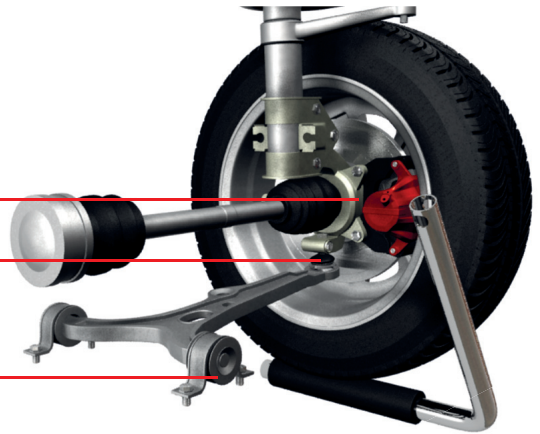
Stabilizer bar

Wheel bearing

Suspension joint

Steering gear

Silent blocks



WATCH DEMO HERE:

**This innovative tool effectively helps identify all kinds of worn suspension components**

Allows user to positively SEE, FEEL and HEAR problem areas while performing diagnostics.

# 432 910

**Suspension Wear Indicator**

U.S. Patent pending